

INSTALLATION & USER INSTRUCTIONS

Thank you for purchasing this Whale® product.

For over 40 years Whale® has led the way in the design and manufacturer of freshwater and waste systems including:- plumbing, faucets, showers and pumps for low voltage applications. The company and its products have built a reputation for quality, reliability and innovation backed up by excellent customer service.

For information on our full product range visit: www.whalepumps.com

CONTENTS

1. Principles of Operation
2. Specification
3. Application
4. Warnings
5. Parts List
6. Instructions for Installation
7. Instructions for Use
8. Maintenance
9. Trouble Shooting
10. Winterising
11. Service Support Details
12. EU Declaration of Conformity
13. Patents and Trademarks
14. Warranty
15. Appendix A - Identifying Flue Type

LIST OF IMAGES

- | | |
|---------|--|
| Fig. 1 | Components drawing |
| Fig. 2 | Installation in vehicle |
| Fig. 3 | Installation under vehicle |
| Fig. 4 | Dimensions – top view inside vehicle |
| Fig. 5 | Dimensions – side view inside vehicle |
| Fig. 6 | Dimensions – front view inside vehicle |
| Fig. 7 | Dimensions – top view outside vehicle |
| Fig. 8 | Dimensions – side view outside vehicle |
| Fig. 9 | Dimensions – front view outside vehicle |
| Fig. 10 | Flue locating diagram |
| Fig. 11 | Attaching flues |
| Fig. 12 | Heater locating |
| Fig. 13 | Installation and securing of heater |
| Fig. 14 | Floor construction and cut out |
| Fig. 15 | Attaching under floor heater |
| Fig. 16 | Attaching flues |
| Fig. 17 | Secure flue brackets |
| Fig. 18 | Connect to gas supply |
| Fig. 19 | Connect gas supply to under floor heater |
| Fig. 20 | Hot air duct |
| Fig. 21 | Hot air duct to under floor heater |
| Fig. 22 | Tee fitting orientation |
| Fig. 23 | Cold air duct |
| Fig. 24 | Cold air duct to under floor heater |
| Fig. 25 | Insert control panel |
| Fig. 26 | Secure control panel |
| Fig. 27 | Installed control panel |

Fig. 28	Connect 12V connector
Fig. 29	Connect 12V to interface plate
Fig. 30	Mains electrical connection
Fig. 31	Mains connection
Fig. 32	Completed installation
Fig. 33	Completed installation under vehicle
Fig. 34	Control panel
Fig. 35	Flue Type - for vehicle in motion
Fig. 36	Flue Type - for standard installation

1. PRINCIPLES OF OPERATION

The Whale® Space Heater Mk II is a gas and electric blown air space heater. Nominal heat output is 2kW on gas and 2kW on mains electric. When on electric mode, heat output is adjustable to low, medium and high settings with an automatically adjusting fan speed which minimises noise and current draw. The compact design provides versatility in installation locations and needs minimal maintenance. The vehicle internal temperature is set by a room controller which can be manually adjusted to a wide range of temperature settings or to warm weather ventilation. Key enhancements to the Mk II design are improved insulation, improved service access and lighter more compact design.

Read the following carefully before installation

2. SPECIFICATION

Model: SH2202 (inside vehicle) Maximum dimensions: Height: 230mm, Width: 157mm, Length: 634mm
 SH2212B (under-floor) Maximum dimensions: Height: 121mm, Width: 290mm, Length: 714mm

Countries of Destination: AT, BE, BG, CH, CY, CZ, DE, DK, EE, ES, FI, FR, GB, GR, HU, HR, IE, IS, IT, LT, LU, LV, MT, NL, NO, PT, SE, SI, SK, TR

Weight: Inside Vehicle Installation 7.7kg

Under-floor Installation 7.7kg

Gas: Butane 28-30mbar - CAT I₃₊ (28-30/37), Butane/Propane 30mbar - CAT I_{3B/P} (30)
 Propane 37mbar - CAT I_{3p} (37)

Gas Consumption (M) 150g/h

Classification of Heater: Type: C₅₃ (Fanned) Normal Installation
 C₁₃ Vehicle In Motion Installation

Nominal Heat Input: Gas 2.0kW

Nominal Heat Input Electric 2.0kW.

Mains Electric:

Nominal voltage: 230V a.c. 50Hz
 Power options: 500/1000/2000W
 Maximum current a.c.: 9 Amps

Battery Supply

Nominal voltage: 12V d.c.
 Operating range: 10.0V d.c. min. to 15V d.c. max.
 Maximum current d.c. gas operation: 1.7 Amps (0.01Amps on standby)
 Maximum current d.c. electric operation: 2.2 Amps (0.01Amps on standby)

Dry Storage Temperature: -20°C to 70°C

Hot Air Duct Diameter: 60mm ID

Flue Diameter: 22mm ID

Maximum Exhaust Flue Length: 2m

Minimum Exhaust Flue Length: 0.75m

Maximum Combustion Air Flue Length: 2m

Minimum Combustion Air Flue Length: 0.75m

Ensure that the position allows access for servicing the Space Heater and that there is a minimum of 25mm distance around the heater to adjacent walls when mounted inside the vehicle.

Whale's policy is one of continuous improvement and we reserve the right to change specifications without prior notice.

3. APPLICATION

The Whale® Space Heater has been designed for caravan, motor home and mobile applications, and is more than adequate for typical recreational vehicle use. The Whale® Space Heater is designed to be installed in conjunction with a ducted hot air system. If the heater is to be used in motion, the vehicle in motion kit must be fitted. This is an accessory to the Whale® Space Heater and must be fitted to allow use in motion. Otherwise, do not operate the appliance while the vehicle is in motion. Please see Appendix A for information on identifying flue type. For more information on this kit, contact Whale® Support.



This symbol indicates that this appliance is suitable for use in Leisure Accommodation Vehicles.



This symbol indicates that this appliance is **not** suitable for use in boats.

4. WARNINGS

Observe all warnings.

In the unlikely event of leaks in the gas system, or if there is a smell of gas:

- Extinguish all naked flames
- Do not operate any electrical switches
- Turn off all gas appliances
- Open windows and doors for ventilation
- Do not smoke
- Shut off gas connection

Get the system thoroughly checked by a registered gas engineer at a Whale® Approved Service Centre / Technician.

The space heater shall not be operated in the following situations:

- When refuelling the vehicle, the vehicle towing the caravan, or other appliances
- When the vehicle in which the heater is installed is in motion; unless the vehicle in motion flue kit is installed (please see Appendix A for information on identifying flue type)
- When the vehicle in which the heater is installed is in a confined space such as a garage

This appliance is not intended for use by persons (including children) with reduced physical, sensory or mental capabilities, or lack of experience and knowledge, unless they have been given supervision or instruction concerning use of the appliance by a person responsible for their safety. Children should be supervised to ensure that they do not play with the appliance.

Ensure that a minimum of one of the hot air outlet vents is permanently open. This hot air vent should be the furthest from the Space Heater.

Any alteration to the appliance, including flue components, use of non-Whale® spare parts/accessories and non-observation of the installation and operation instructions shall lead to cancellation of the warranty and exclusion of liability claims and results in it becoming illegal to use the appliance.

Please note that incorrect installation, misuse or use of non original Whale® parts may invalidate the warranty. It also becomes illegal to use the appliance if incorrectly installed, and in some countries this even makes it illegal to use the vehicle.

When operating using gas, the combustion air inlet flue and outlet flue for the products of combustion (exhaust flue) shall never be obstructed. They should be checked regularly, and if necessary cleaned by the user (e.g. in winter, snow shall be removed from the combustion outlet and air intake).

Where the open end of the exhaust flue terminates, three sides of the under-floor space are to be kept open and not obstructed, and not contain through floor ventilation openings.

The heater, its gas supply, and flues for the products of combustion are to be inspected in accordance with national regulations or if these do not exist, the manufacturer's recommendations, however, it is advised that this should be done at least annually.

Please note: The heater and ducts will become hot. Please avoid anything directly touching the heater or ducts.

5. PARTS LIST

The Whale® Space Heater kit contains:

	SH2202	SH2212B
Space heater and 4 screws	1	
Space heater and 10 screws		1
Control panel / Room thermostat and 4 screws	1	
3.5m control panel cable (retail only)	1	
Warranty registration card	1	1
Instruction manual including installation templates	1	1
Instruction manual storage pocket, with adhesive fixing strip	1	

Please note that the Whale® Space Heater requires a separate flue kit for installation. Exhaust flues are available in lengths of 0.75m to 2m. A kit is also available specifically to allow the heater to be used while the vehicle is in motion. For a full list of flue kits available please contact Whale® Support.

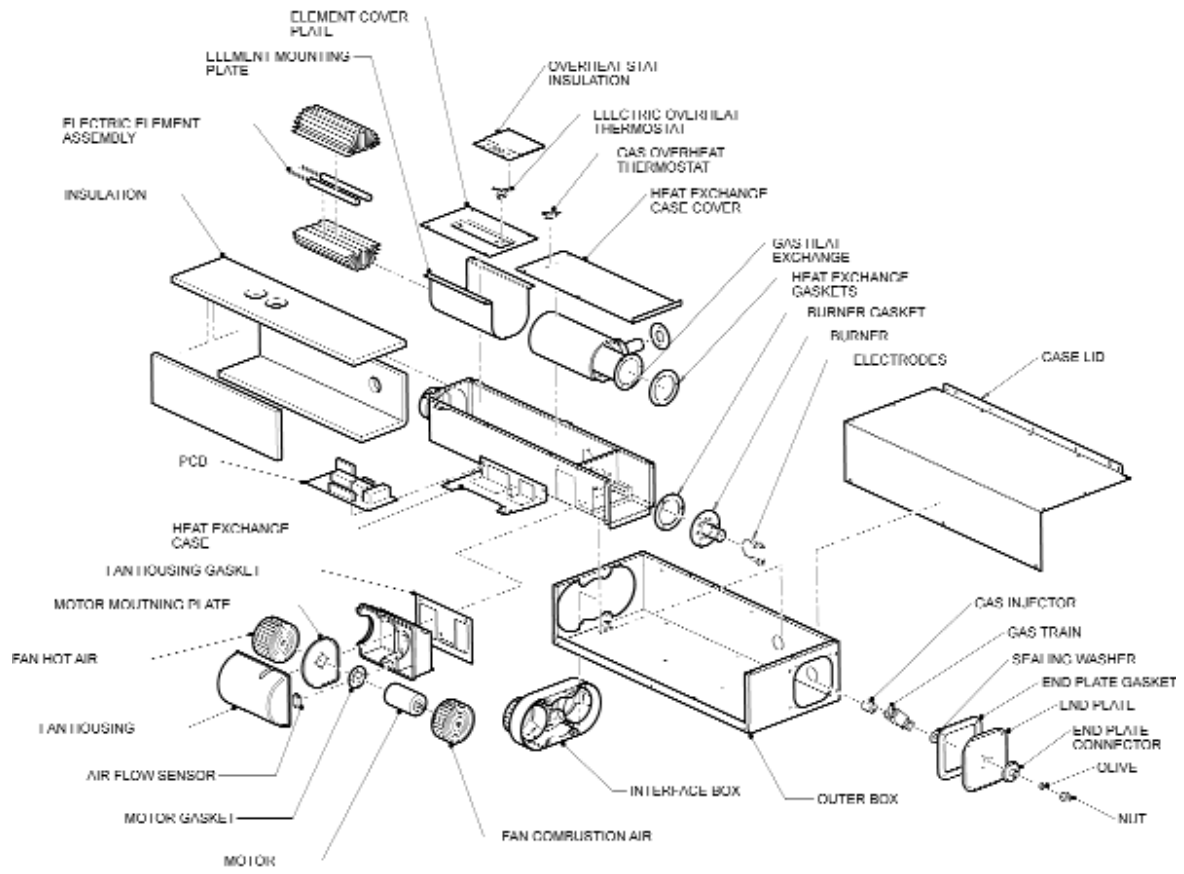


Fig. 1

6. INSTRUCTIONS FOR INSTALLATION

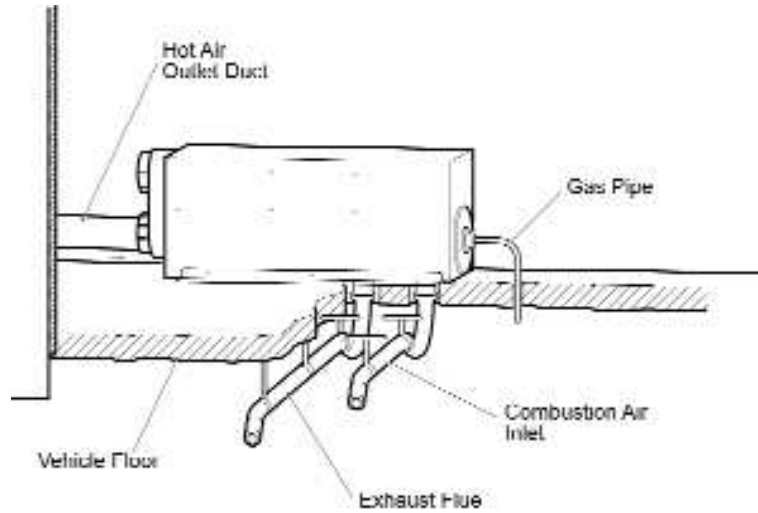


Fig. 2

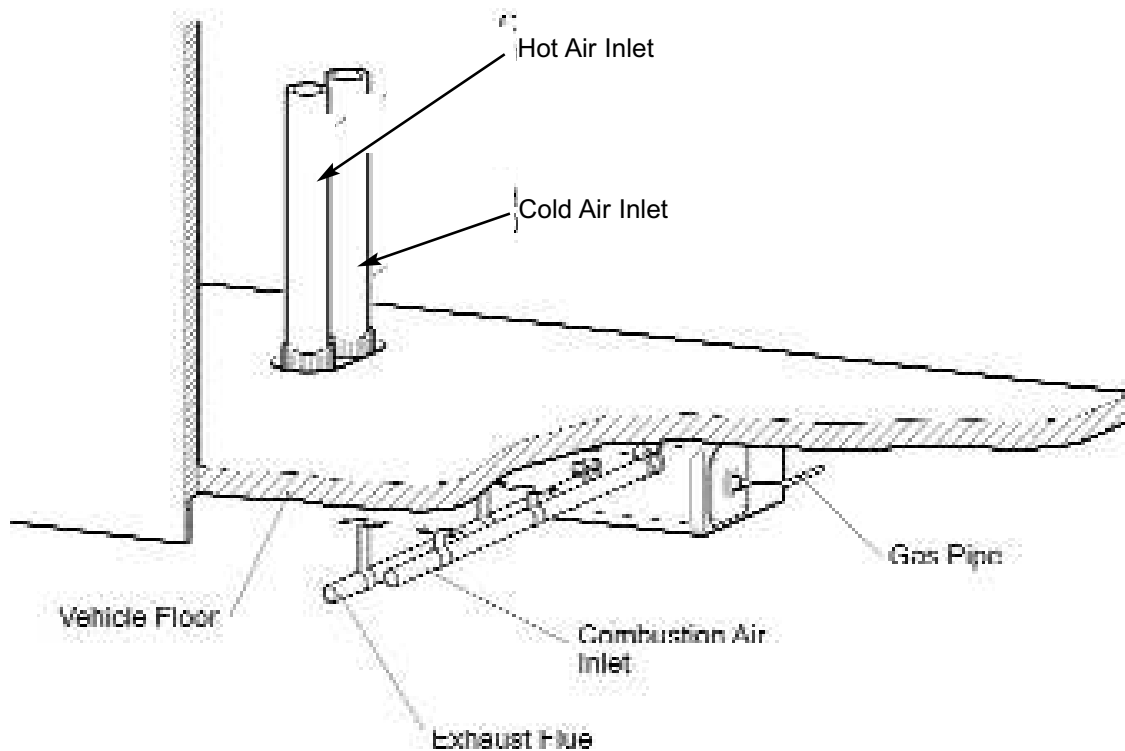


Fig. 3

The Whale® space heater can be installed either inside the vehicle (SH2202) as in Fig. 2 or under the floor (SH2212B) as in Fig. 3, depending on which model has been purchased.

To the Fitter:

Installation and servicing of this appliance must only be carried out by competent persons registered with the Gas Safe Register (GB) or the relevant national organisation, in accordance with the relevant regulatory and safety requirements.

Before installation, ensure the appliance has been supplied in good condition and if damaged do not install.

A competent person should install the appliance in accordance with the appliance installation instructions. This appliance is for use with LPG (see appliance data plate) and mains electricity (230V a.c.). Check that the product is suitable for the intended application, in particular the installer must check the compatibility of the data plate information with the LPG supply requirements of the vehicle. Follow these installation instructions and ensure all relevant personnel read the points listed below. Also ensure that these operating instructions are passed on to the end user.

Please note: The appliance should be installed in accordance with any relevant regulations in the country where the appliance is installed. For this appliance in Europe the standard is BS EN 1949:2002 "Specification for the installation of LPG systems for habitation purposes in leisure accommodation vehicles and in other road vehicles".

Ventilation must comply with relevant national and/or local requirements.

DIMENSIONS

In vehicle installation

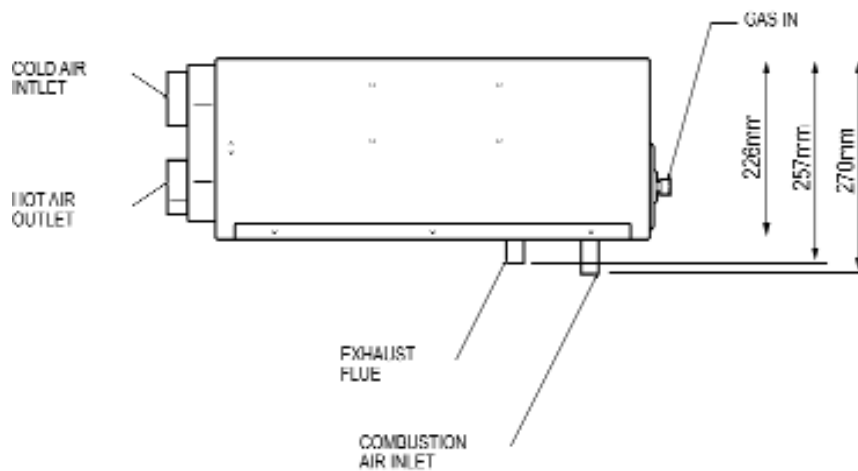


Fig. 4

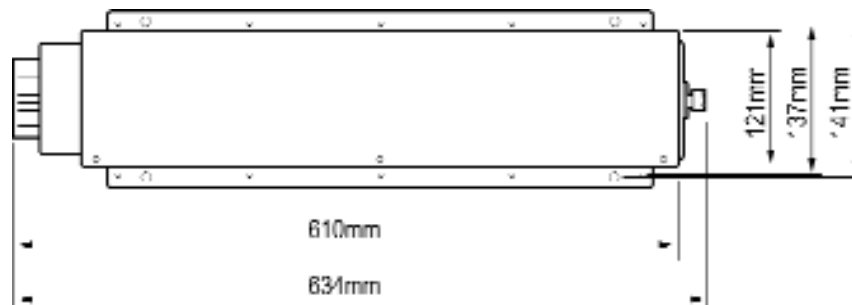


Fig. 5

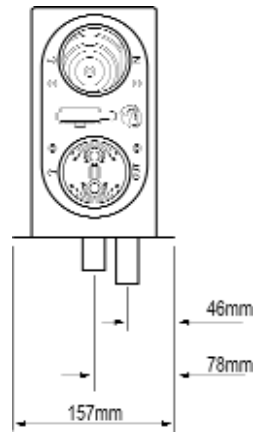


Fig. 6

Under floor installation

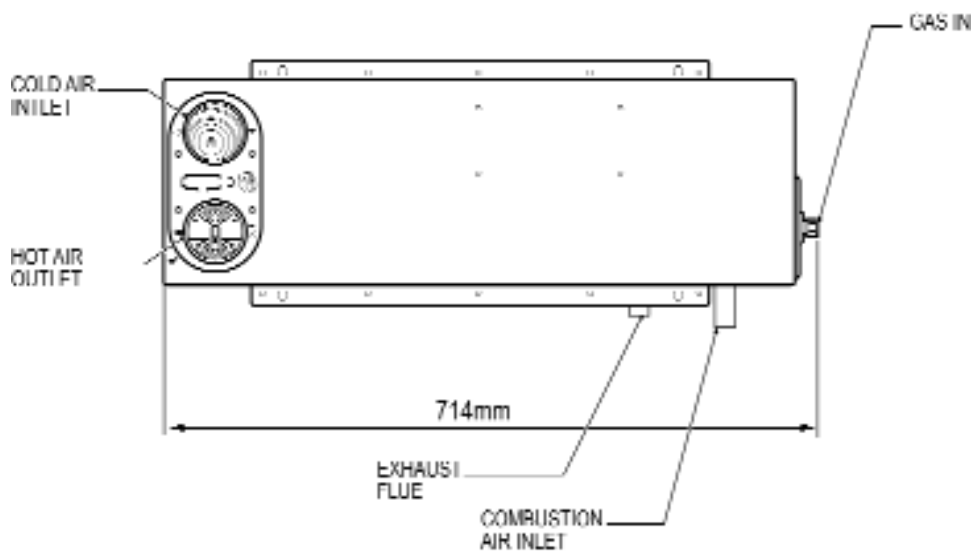


Fig. 7

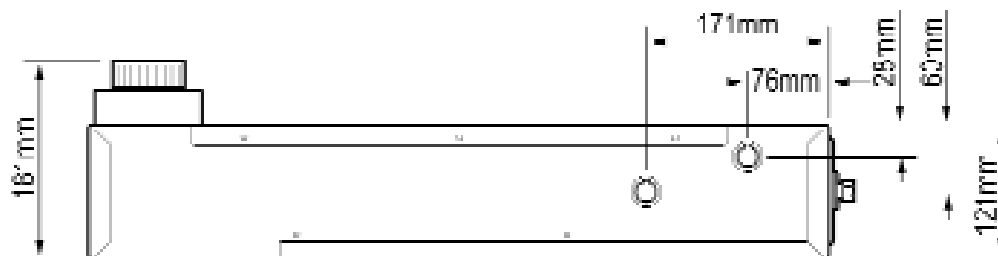


Fig. 8

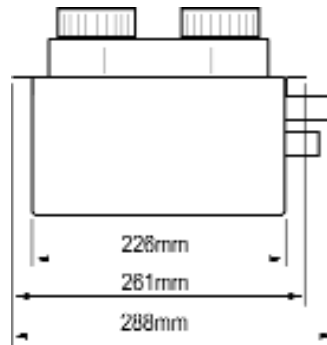


Fig. 9

Step 1 Find suitable location for Space Heater Installation

Consider the following points:

- i. For weight distribution in caravans, aim to position the Space Heater as near to the axle as possible. You should avoid (where possible) locating at the very rear and preferably avoid the very front.
- ii. If mounting under the floor the heater should be positioned within the chassis members and close to the axle to help protect the appliance.
- iii. Please note: The heater, ducts and flues will become hot. Please avoid anything directly touching these.
- iv. Ensure the position allows access for servicing the Space Heater and that there is a minimum of 25mm distance around the heater to adjacent walls.
- v. The hot air outlet of the heater is to be fitted to the hot air ducting system. The heater should be positioned to minimise the amount of ducting required and sharp bends in the ducting should be avoided.
- vi. In selecting the position of the Space Heater, ensure that the exhaust flue and combustion air inlet flues can be installed avoiding all chassis members and gas pipes etc. that are located underneath the floor. Remove the flue template from the back of the instruction manual and use this to find a suitable location.
- vii. The open end of the exhaust flue must not be fitted at the side of the caravan / motorhome where an awning may be fitted. It is thus preferable to install the heater on the opposite side of the caravan / motorhome to avoid routing the exhaust flue to the far side of the caravan / motorhome.
- viii. Only Whale® supplied flue components are permitted to be used. The open end of either flue must not be positioned within 300mm of a refuelling point or fuel tank breather outlet or any ventilator from the fuel system(s). The exhaust flue must not be fitted within 300mm of a ventilator for the living space or an opening part of a window. The open end of the exhaust flue must be positioned at least 500mm from the open end of the combustion air flue and be pointing in the same direction. The exhaust flue should be positioned at the side or end of the caravan / motorhome. The exhaust flue may be positioned vertically below an opening part of a window if the appliance is fitted with an automatic shut-off device, to prevent operation when the window is open.

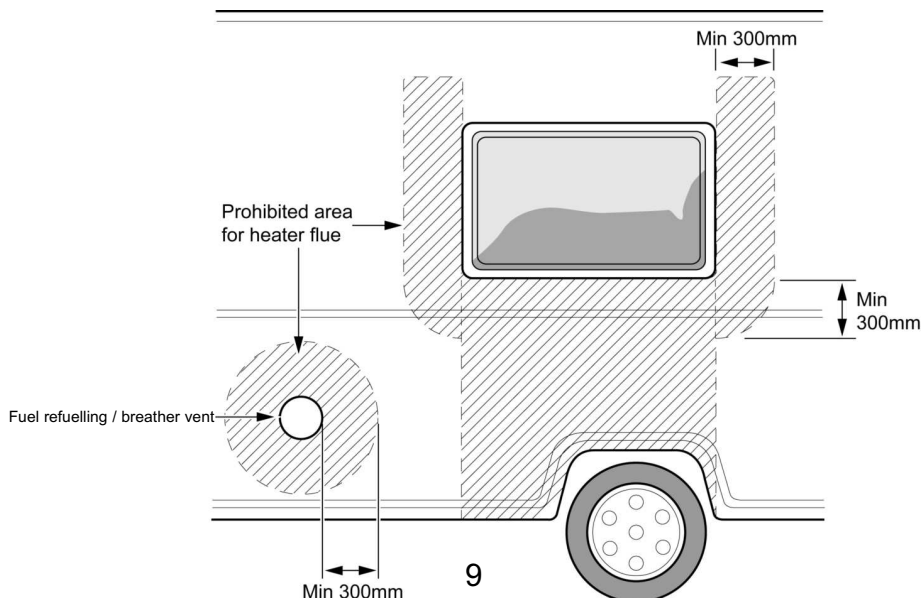


Fig. 10

- ix. The combustion air inlet flue can be terminated underneath the vehicle. The open end of it must be at least 500mm away from the open end of the exhaust flue, and pointing in the same direction. Take care to ensure that both flues have a slight downward slope from as close to the heater as possible to prevent any possibility of water traps. Make sure neither the exhaust nor the combustion air inlet flues are terminated in an under-floor box section.
- x. The minimum length of the exhaust flue is 0.75m, and maximum length 2m. The minimum length of the combustion air inlet flue inlet must be 0.75m, and maximum length 2m.
- xi. When operating using gas, the combustion air inlet flue and outlet openings for the products of combustion (exhaust flue) **must never** be obstructed. They should be checked regularly, and if necessary cleaned by the user (e.g. in winter, snow shall be removed from the combustion outlet flue and combustion flue intake).
- xii. Where the open end of the exhaust flue terminates, three sides of the under-floor space are to be kept open and not obstructed, and not contain through-floor ventilation openings.
- xiii. The heater, its gas supply, ducting and flues are to be inspected in accordance with national regulations or if these do not exist, the manufacturer's recommendations, however, it is advised that this should be done at least every year.
- xiv. The heater **must not** be used when the vehicle is in motion unless the vehicle in motion flues and bracket are fitted. The vehicle in motion kit is not standard and is available separately. Please refer to the vehicle in motion kit instruction for further fitting considerations or contact Whale® Support for more information.

If installing on the underside of the vehicle floor skip Steps 2 and 3.

Step 2 Cut out holes for exhaust and combustion air flues

Position the template on the floor where the heater is to be mounted. Mark the position of the two holes for the combustion air inlet and exhaust flues, then drill holes with a 51mm (2") minimum diameter hole saw.

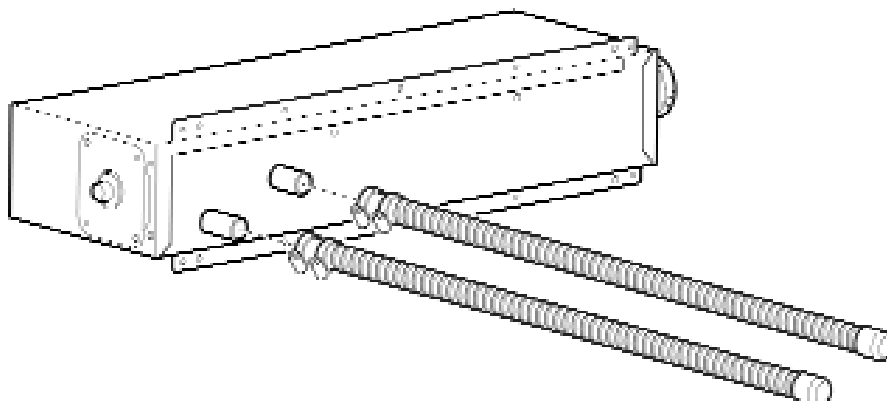


Fig. 11

Push on the ends of the flues with the blue adaptor to the pipes on the underside of the Space Heater ensuring they are fully pushed on, and secure with supplied hose clips.

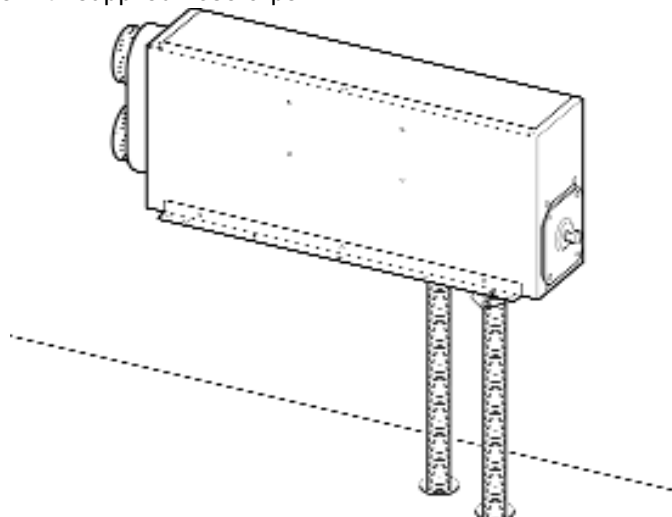


Fig.12

Step 3 Attach heater to the floor

From inside the vehicle, feed the exhaust and combustion air flues through the holes drilled on the floor. Locate the heater so that the flues are centralised in the holes, and attach heater to floor with 4 screws supplied (No. 8 x 3/4"), as per Figs. 12 & 13

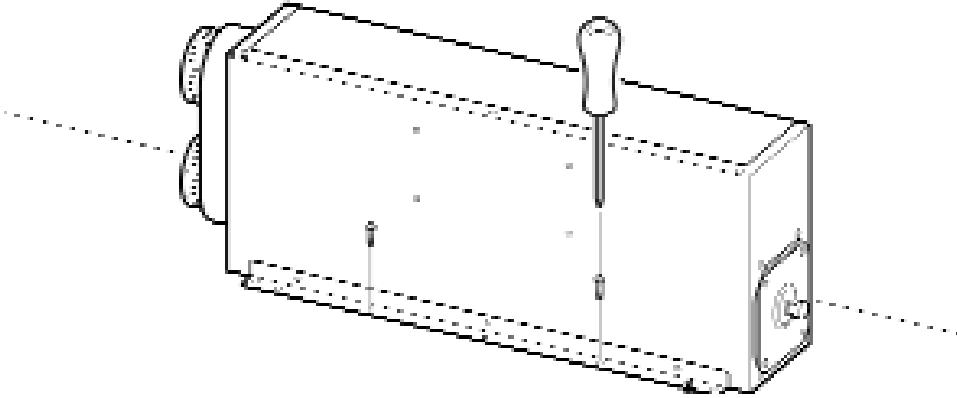


Fig.13

Proceed to Step 6

Step 4 Underfloor heater location

For under-floor installation the floor of the vehicle should be manufactured as per the Fig. 14. It is important that wooden batons are incorporated in the floors construction to allow the screws to secure into.

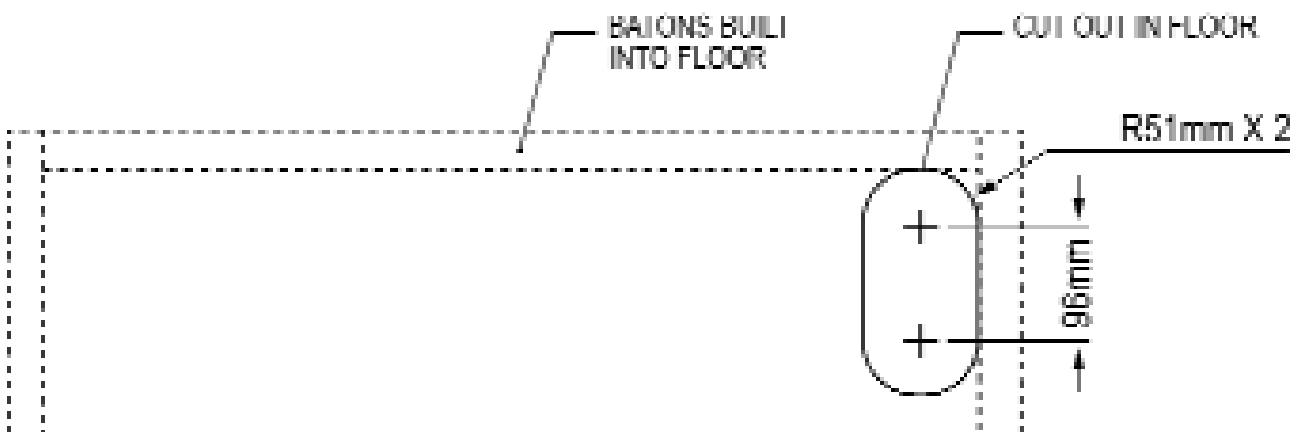


Fig. 14

Locate the heater in the correct position such that the screws will enter the batons, and attached with 10 screws (No. 8 x 5/8") provided. Ensure that the mains cable is fed through the rectangular cut out and is not trapped between the outer cover box and the floor.

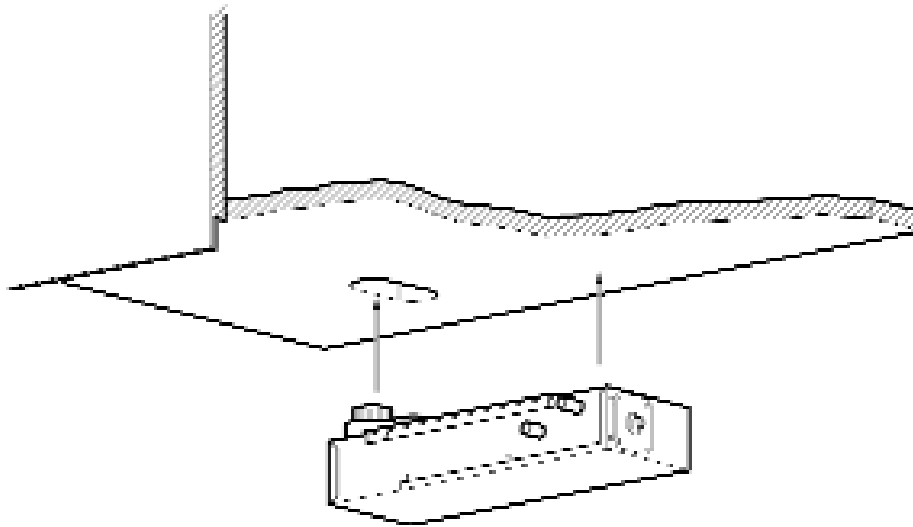


Fig. 15

Step 5 Securing the flues

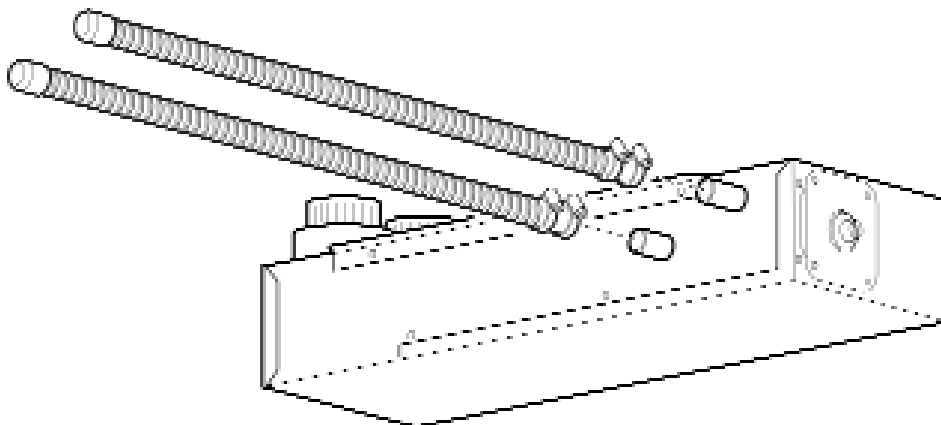


Fig. 16

Push on the ends of the flues with the blue adaptor to the pipes on the underside of the Space Heater ensuring they are fully pushed on, and secure with supplied hose clips.

Step 6 Mounting the flues

When mounting the combustion inlet flue and exhaust flue, they should ideally run downwards from the heater to their open end to allow any condensation to drain out. The open ends should be angled downwards to prevent rain from entering. Care should be taken to route exhaust flues around chassis members and avoiding gas pipes and wires.

The flues should otherwise be kept as straight as possible.

Please note: The exhaust flue should be positioned at the side or the rear end of the vehicle. The open end of the combustion air flue must be at least 500mm away from the open end of the exhaust flue and pointing in the same direction.

The combustion air inlet flue is attached to the underside of the floor with two of the brackets supplied. The remaining brackets supplied with the flue kit are used to attach the exhaust flue. Clip the bracket around the flue and use two screws (No.8 x 3/4") to attach each bracket to the floor as per diagram, Fig.17.

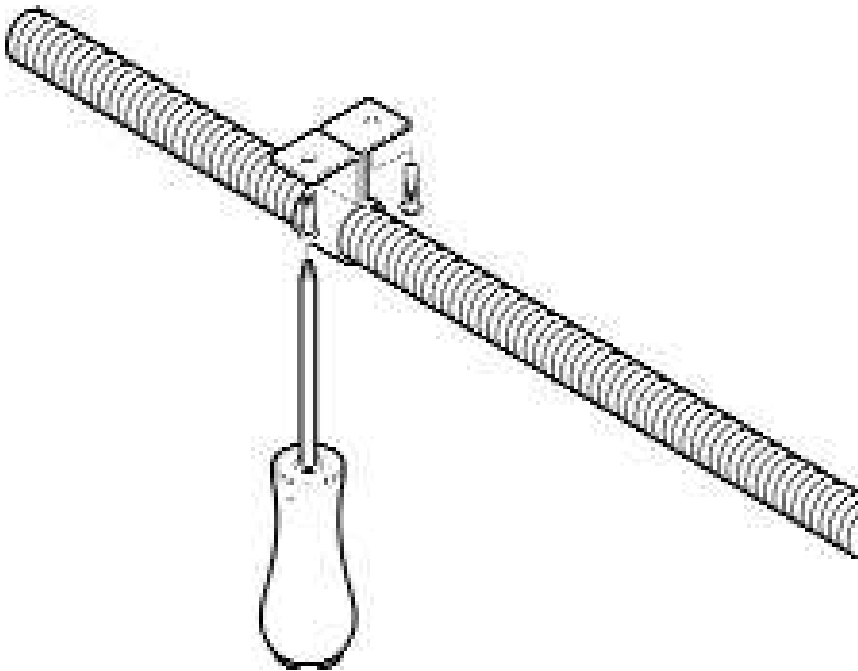


Fig. 17

Step 7 Connect to gas supply

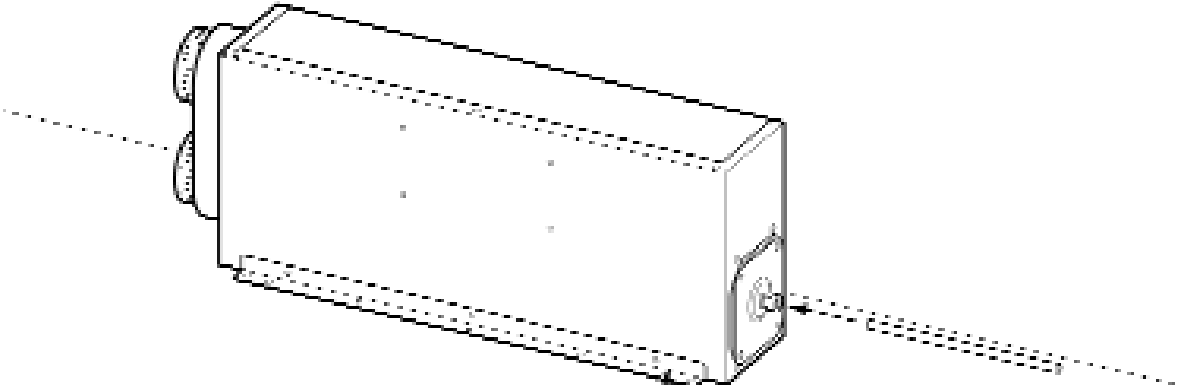


Fig. 18

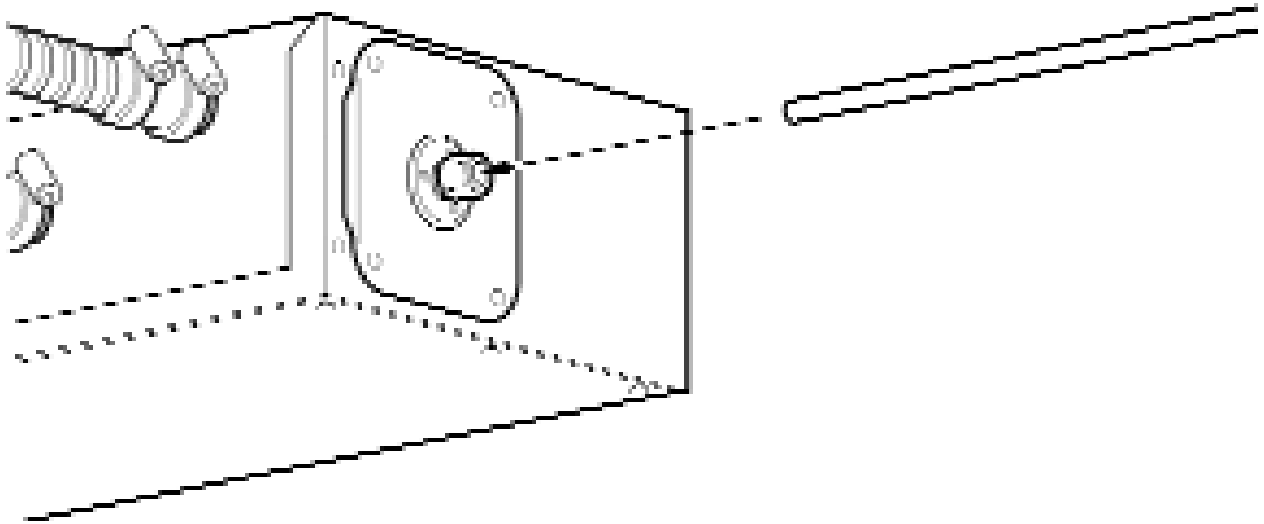


Fig. 19

The appliance should be installed by a competent person in accordance with the installation instructions and comply with any relevant regulations in the country where the appliance is installed.

The Space Heater is supplied with a compression nut and olive for 8mm (5/16") pipe. The supply pipe should be checked and be free from dirt or other particles before connection to the compression joint on the space heater. The supply pipe should be routed so that the appliance can be removed for servicing.

A gas shut-off valve should be located in the vicinity of the space heater and all connections should be kept to a minimum.

It is recommended that a gas pressure test point is fitted to the inlet of the appliance.

When the gas line is complete, all joints should be tested for leaks using leak detection solution – Never with a naked flame.

The gas pressure should be verified at the pressure test point.

Please note: The operating pressure for the gas supply should be either 28-30mBar Butane or 30mbar/37mbar Propane.

Step 8 Fitting Hot Air Ducts

To fit the ducting push it onto the 'outlet' nozzle, where it will be gripped by the nozzle.

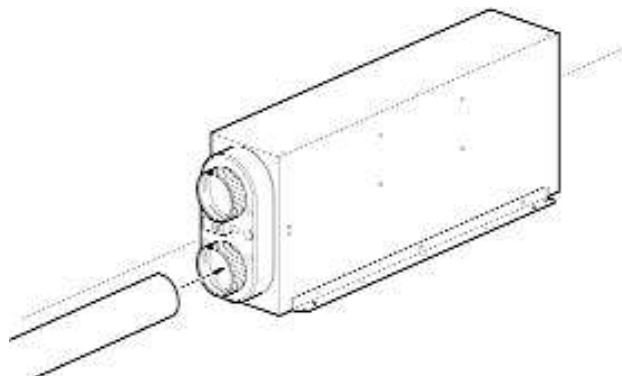


Fig. 20

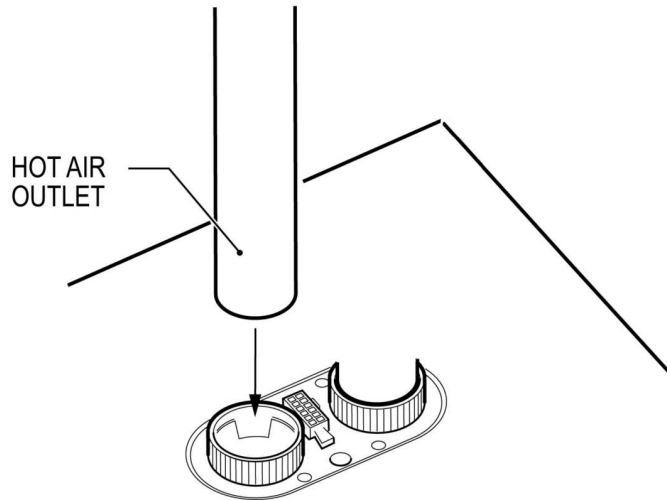


Fig. 21

If fitting an under floor heater, fit the air duct into the hot air outlet fitting.

Important: At least one hot air outlet vent is to be permanently open. The hot air duct should not be fed into the centre branch of a Tee fitting as per Fig. 22.

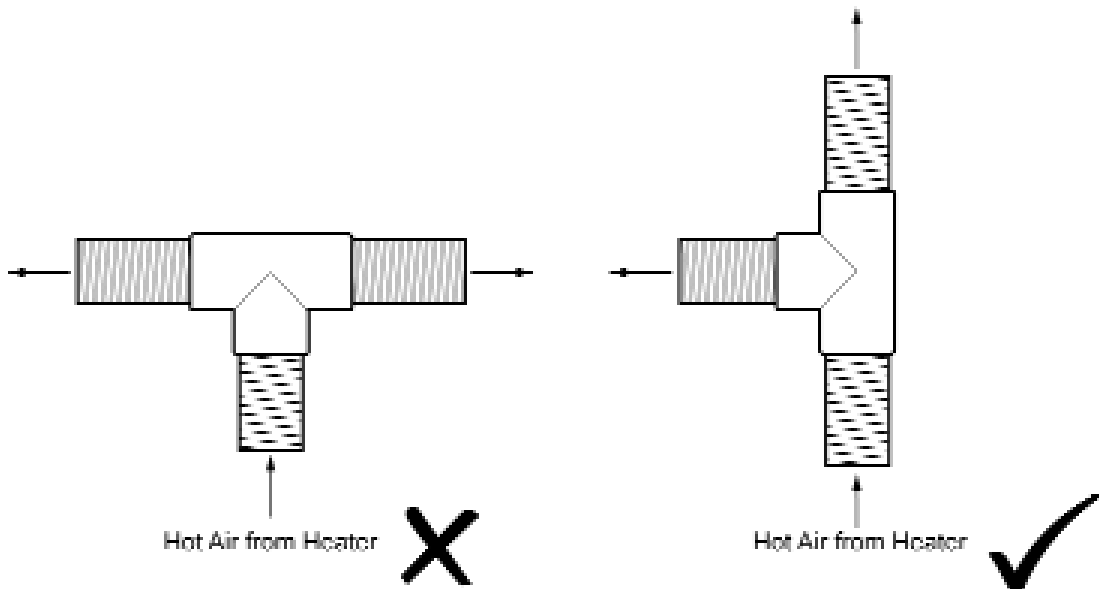


Fig. 22

Step 9 Fitting Cold Air Supply

The Whale® Space Heater must be adequately supplied with cold air. If the heater is installed in a bed box or another confined space, either vents into the area **must be** fitted or ducting used to supply the heater with cold air. If a vent is fitted, it must be no smaller than one designed for use with 60mm ducting. If ducting is fitted it should supply air from the living space of the vehicle. To fit the ducting, push it onto the cold air inlet nozzle, where it will be gripped by the nozzle.

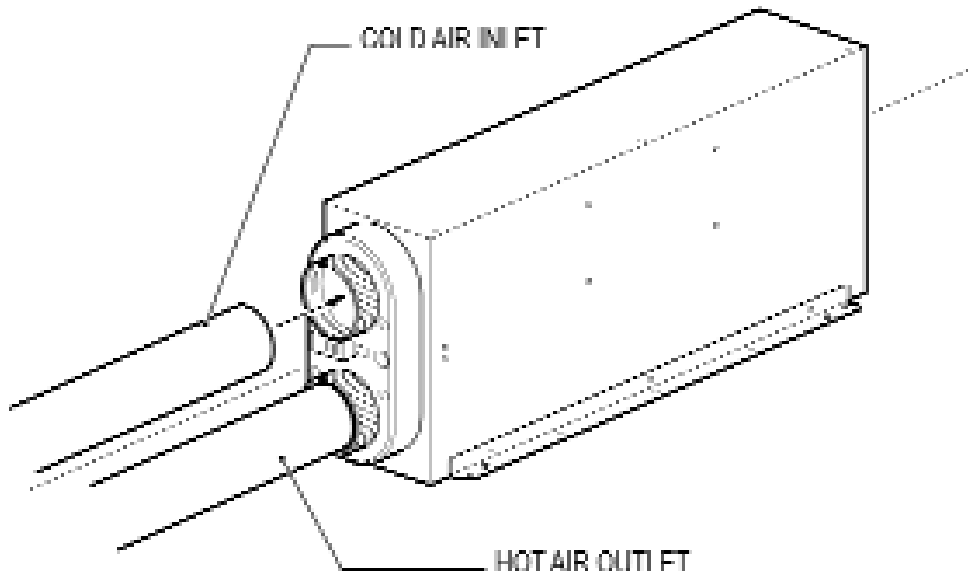


Fig. 23

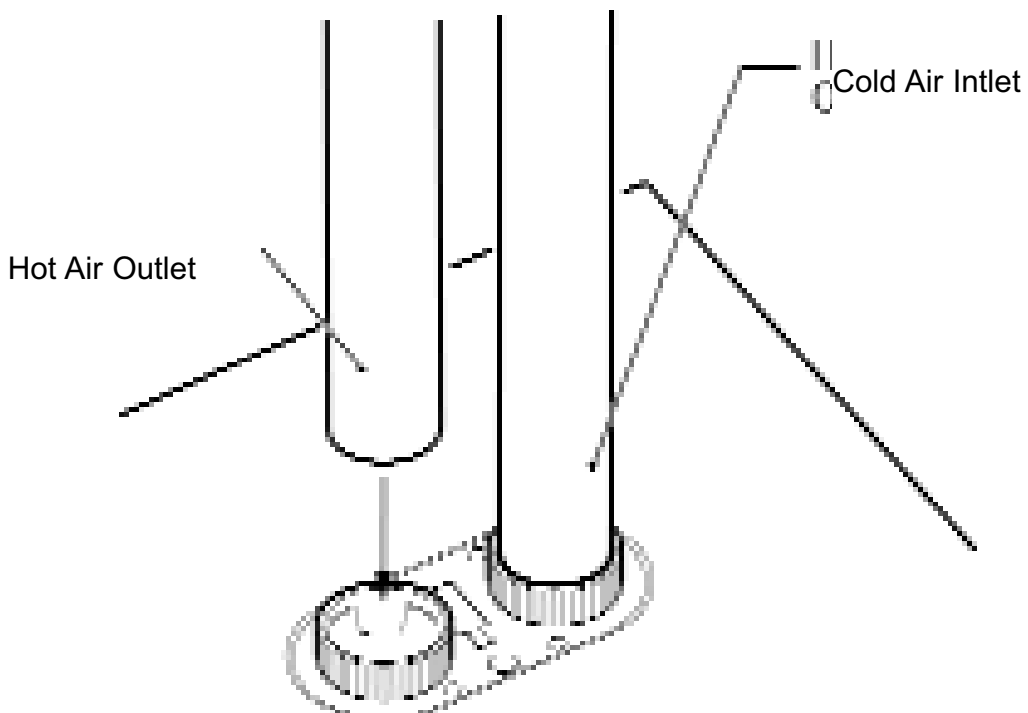


Fig. 24

Step 10 Mounting of Whale® Control Panel

When mounting the Whale® control panel, find a suitable convenient and accessible position. For good temperature control, select a position away from draughts and approximately 1.5m above the floor. Ensure suitable access for wiring loom connection and cable. Note that the cable supplied with the retail heater to connect the control panel to the space heater is 3.5m long. The minimum depth behind panel for wiring must be 40mm. If using a control panel specific to the manufacturer of the vehicle the electrical connections must be made in accordance with step 11.

The control panel requires a cut out 95mm wide x 42mm high. Feed the wires through the cut out in the wall and locate into desired position. Secure with 4 screws (No.4 x 3/4) provided, then clip on the surround frame.

In some instances, it may be necessary to make the wiring connections in step 11 before securing the control panel to the wall.

Please note: It may be possible to retrofit the Whale® control panel into existing frames.

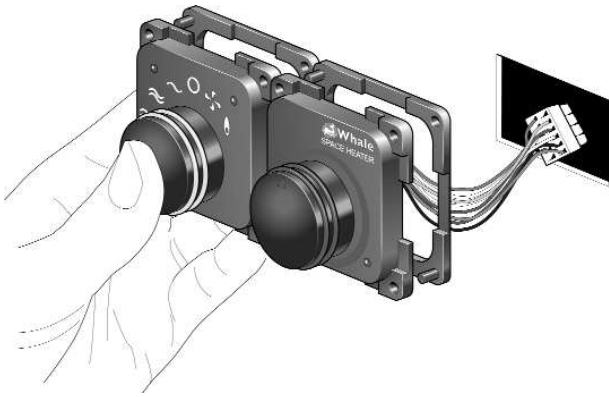


Fig. 25

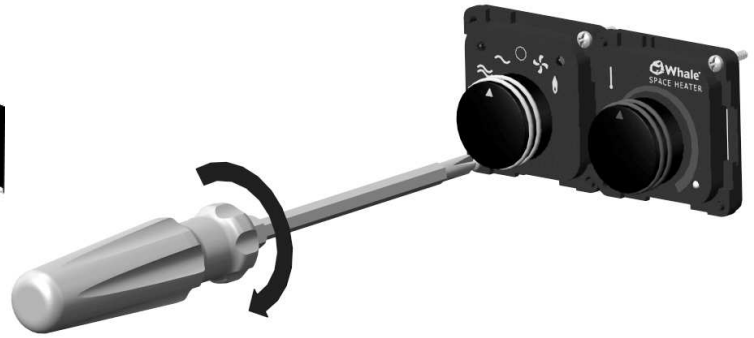


Fig. 26



Fig 27

Step 11 Electrical Connections 12V

Manufacturer Installation

WARNING: Always disconnect the appliance from the power supply prior to working on electrical components. The space heater and control panel come complete with electrical connectors fitted.

The Whale® Space Heater and control panel are designed to be integrated into the caravan's wiring loom. The Space Heater is provided with a JST VL series 12 way socket, and the control panel with JST VL 6 and 3 way sockets. 9 wires are required to connect the space heater to the control panel, and 12V and 0V power supply are to be connected to the 12 way socket at the heater.

Please note: We recommend that a 5 amp automotive fuse is fitted in the 12V supply.

Connections at Space Heater

Terminal Number	Description	Wire Colour
1	Switch common	Brown
2	0V to Switch panel	Black
3	Fan Switch	Yellow
4	Electric 1 Switch	Green
5	Electric 2 Switch	Grey
6	Electric 3 Switch	Pink
7	Burner Switch	Blue
8	Burner LED	Orange
9	Lockout LED	Violet
10	12V supply	Red
11	0V supply	White

Connections at control panel

Connector	Terminal Number	Description	Wire Colour
6 Way connector	1	Switch common	Brown
	2	Burner Switch	Blue
	3	Fan Switch	Yellow
	4	0V to Switch panel	Black
	5	Burner LED	Orange
	6	Lockout LED	Violet
3 Way connector	1	Electric 1 Switch	Green
	2	Electric 1 Switch	Grey
	3	Electric 1 Switch	Pink

Retail installation

The space heater and control panel come complete with electrical connectors fitted.

Connect the 12 way electrical connector with the flying red and white leads to the 12 way connector on the space heater. Then route the wire to the control panel and connect the 6 way electrical connector to the 6 way connector, and the 3 way electrical connector to the 3 way connector at the control panel. Secure the wire close to the control panel so there is no strain on the wires at the switches. Connect the red flying lead coming from the 12 way connector to a 12V supply, then connect the white flying lead to the caravan 0V.

Please note: We recommend that a 5 amp automotive fuse is fitted in the 12V supply.

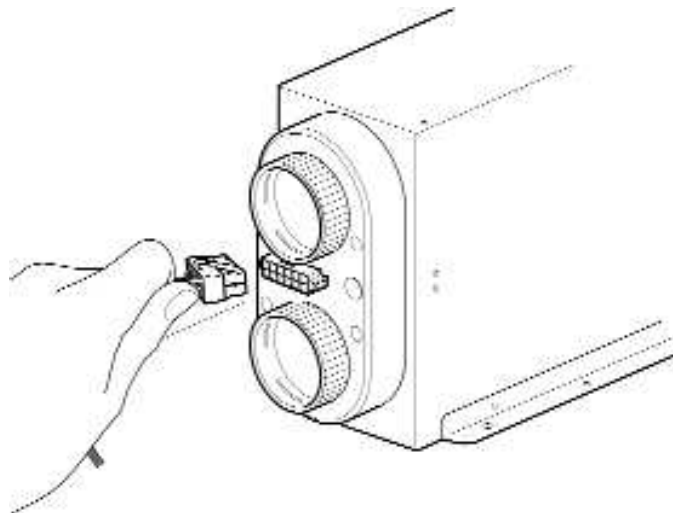


Fig. 28

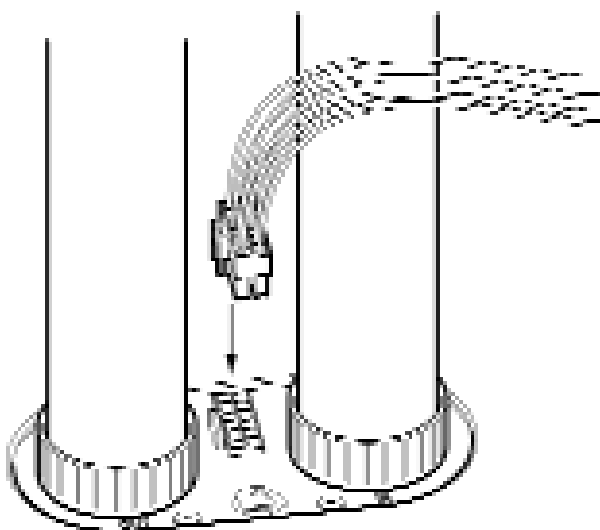


Fig. 29

Step 12 Electrical Connection 230V

The appliance should be installed in accordance with the installation instructions and comply with any relevant regulations in the country where the appliance is installed. Electrical installation should be carried out by a suitably qualified electrician. The electrical supply **must be** connected to a 13 amp fused spur provided with an all-pole disconnection and the appliance **must be** earthed.

Manufacturer Installation Example

The mains supply cable is supplied with a JST LP series socket (terminal pins are JST slm-61T-2.0) and must be mounted in a housing with strain relief to prevent accidental disconnection and prevent access to the connector.

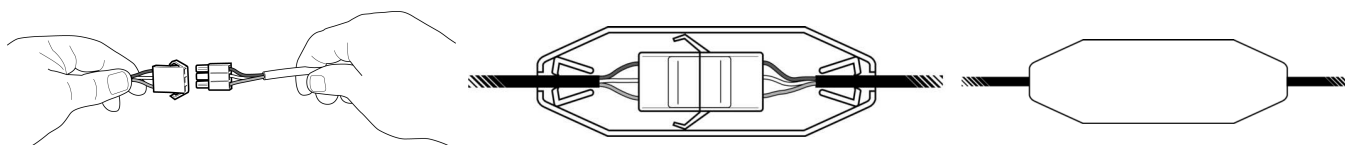


Fig. 30

Retail Installation

The Whale® space heater comes fitted with a 3 pin plug. We recommend that the socket should be mounted vertically and away from potential exposure to water. If installation of an electrical socket is required this must be carried out by a competent person. The plug is fitted with a 13 amp fuse.



Fig. 31

Please note: If the supply cable is damaged, it **must be** replaced by the caravan/motorhome/cable manufacturer or a Whale® Approved Service Centre or Technician.

Warning:

The appliance must not be supplied through an external switching device, such as a timer, or a circuit that is regularly switched. This is to avoid an inadvertent resetting of the thermal cut out.

N.B. Ensure that the Space Heater is not located immediately below the electrical supply socket.

Completed installation

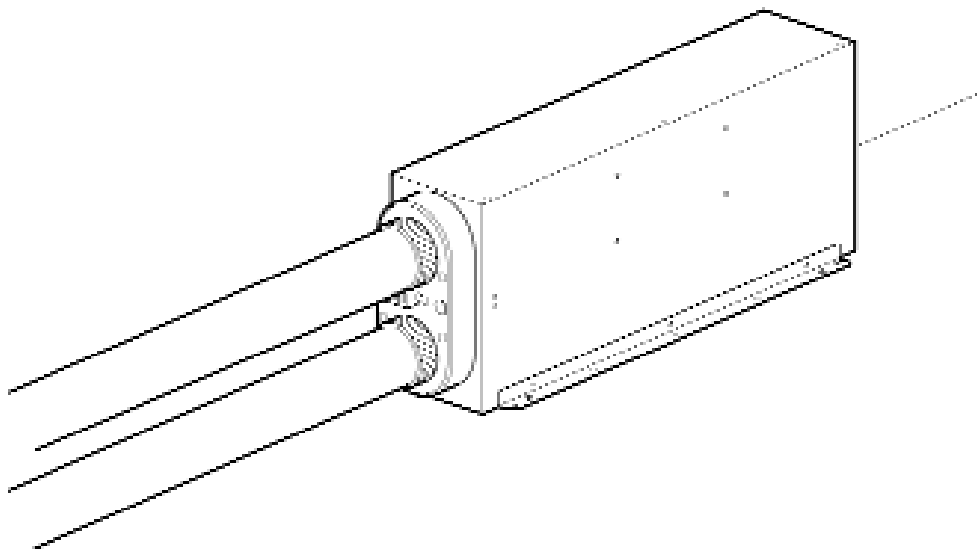


Fig. 32

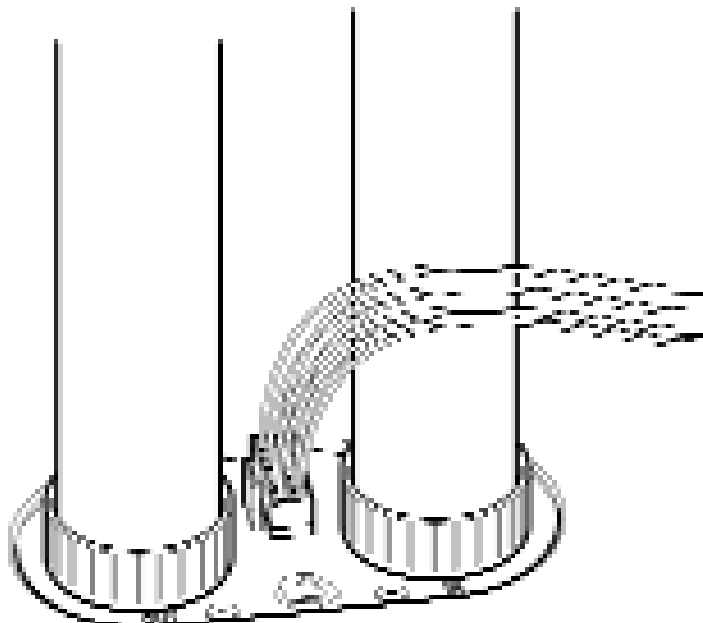


Fig. 33

Please note: After completing the installation, carry out a full function check including gas soundness to ensure the appliance has been installed and operates correctly. The gas soundness check must be carried out by an accredited LPG gas engineer and a test certificate issued.

7. INSTRUCTIONS FOR USE

To the User:

Read the following instructions carefully.

Observe all warnings.

In the unlikely event of leaks in the gas system, or if there is a smell of gas:

- Extinguish all naked flames
- Do not operate any electrical switches
- Turn off all gas appliances
- Open windows and doors for ventilation
- Do not smoke
- Shut off gas connection

Get the system thoroughly checked by a Whale® Approved Service Centre / Technician.

- The space heater shall not be operated in the following situations:
 - When refuelling the vehicle, the vehicle towing the caravan, or other appliances
 - When the vehicle in which the heater is installed is in motion, unless a Vehicle In Motion kit is fitted: please refer to Section 3 Application in this document.
 - When the vehicle in which the heater is installed is in a confined space such as a garage.

This appliance is not intended for use by persons (including children) with reduced physical, sensory or mental capabilities, or lack of experience and knowledge, unless they have been given supervision or instruction concerning use of the appliance by a person responsible for their safety. Children should be supervised to ensure that they do not play with the appliance.

Ensure that a minimum of one of the hot air outlet vents is permanently open.

When using gas, the combustion air flue and outlet openings for the products of combustion (exhaust flue) **shall never be obstructed**. They should be checked regularly, and if necessary cleaned by the user (e.g. in winter, snow shall be removed from the combustion outlet and air intake).

Where the open end of the exhaust flue terminates, three sides of the under-floor space are to be kept open and not obstructed, and not contain through-floor ventilation openings.

The heater, its gas supply and flues for the products of combustion are to be inspected in accordance with national regulations or if these do not exist, the manufacturer's recommendations, however, it is advised that this should be done at least annually.

The Whale® Space Heater should be checked periodically by a Whale® Approved Service Centre / Technician, or competent person, at least annually. This should be completed according to the practice in the country where it is used and according to the Whale® instructions. We recommend annual testing of gas soundness and combustion by an accredited LPG gas engineer. The appliance contains ESD sensitive components and therefore should only be opened by a Whale® Approved Service Centre / Technician (contact Whale® Support).

When using operating switches provided by the installer or manufacturer, they are responsible for providing user instructions and identification of symbols on the control panel. The inlet vents of the heater should **never be** blocked and at least one hot air outlet vent is to be permanently open.

OPERATING INSTRUCTIONS





Fig. 34

For operation of the heater, a 12V d.c. supply must be connected at all times. To operate the heater's electric elements, it must also be connected to a suitable 230V a.c. supply.

Fan only operation. Turn the selector knob to the fan position  .

Gas operation. Turn the selector knob to the gas on (flame) position. There will be a pre-purge pause of approx. 30 sec's to allow any un-burnt gas to leave the flue. A green LED will light upon successful flame ignition. If there is air in the gas supply line it may take a few attempts for the gas to ignite. See section 9 for gas lockout re-setting. If the ignition is not satisfactory the red LED will flash, refer to the trouble shooting guide (see section 9).

Electric operation. The space heater is equipped with 3 power settings 500W / 1000W / 2000W. Turn the selector knob to low power setting (~) for 500W. Turn the selector knob to medium power setting for 1000W:  . Turn the selector knob to high power setting for 2000W:  .

When operating on low and medium electric power settings the blown air fan runs at a reduced speed to minimise noise and current draw.

Note: The electric elements will still operate if the appliance is in gas ignition lock-out. The appliance cannot be operated with both gas and electric.

Switching appliance off. Turn the selector knob to the Off position (●). Note that the fan will continue to run for 3 minutes to allow the heater to cool down.

Adjusting the temperature. Turn the temperature control knob clockwise to increase and anti-clockwise to reduce the room temperature. The heater will automatically turn itself on and off to maintain the desired ambient temperature.

Note that the controls incorporate a low frost protection setting. This can be activated by turning the temperature control knob fully anti-clockwise.

8. MAINTENANCE

If the heater has not been used for some time, dust may have settled inside the heater and the ducting. Run the heater on the "Fan only" setting until it clears. The outside of the appliance should not normally require cleaning. If it does, isolate the electrical supplies and wipe down with a soft, damp cloth only. Allow to fully dry before reconnecting the electrical supplies.

The Whale® Space Heater should be checked periodically by a Whale® Approved Service Centre / Technician, or competent person, at least annually. This should be completed according to the practice in the country where it is used and according to the Whale® instructions. We recommend annual testing of gas soundness and combustion by an accredited LPG gas engineer. The appliance contains ESD sensitive components and therefore should only be opened a Whale® Approved Service Centre / Technician (contact Whale® Support).

9. TROUBLE SHOOTING

The heater is equipped with an electronic diagnostic system which will detect fault conditions ranging from poor gas or d.c. supply to internal heater malfunctions. In the unlikely event of a failure, the red light on the control panel will flash a number of times, pause, and repeat until switched off. Count the number of flashes and refer to the table below.

Number of flashes	Fault	Remedy
1	No flame detected	Check gas supply making sure there is gas in the bottle and no blockage in the gas line. Ensure propane is used at temperatures below +5°C. Clear lockout as described below.
2	Overheat	Check the air ducts and vents are not blocked or restricted. We recommend you wait at least 5 to 10 minutes to allow the heater to cool before clearing lockout as described below.
3	Low/high supply voltage	Minimum operating voltage is 10V, maximum is 15V, when measured at the heater. Check battery voltage. If between 10V and 15V, check connections between heater and battery. Check alternator or external battery charging. Clear lockout as described below.
4	Combustion air fault	Check combustion air inlet flue and exhaust flue for blockages.
5	Other / internal fault	Attempt to clear lockout as shown below. If this fails, contact a Whale Approved Service Centre / Technician.

Gas Lockouts

Gas lockouts must be cleared by turning the selector knob from gas on (flame) position to off position then back to the on position. The complete sequence of switch movements must be completed within 2.5 seconds for a lockout to be successfully cleared. If there is air in the gas line, e.g. after a gas bottle change, the space heater may require several attempts before it lights. Lockouts can also be cleared by switching to the 'fan only' position and then back to 'on' within this 2.5 second period.

Other Lockouts

If the lockout is caused when the unit is operated on electric, the lockout can be cleared by turning the selector knob from electric 'on' position to 'off' position then back to the 'on' position. The complete sequence of switch movements must be completed within 2.5 seconds for a lockout to be successfully cleared.

Note: A cycling of the power supply to the unit will not clear a lockout. Some gas lockouts, e.g. ignition lockout and combustion air faults will still permit use of the appliance in electric only operation.

If the problem persists contact **Whale Support on +44 (0)845 217 2933**

10. WINTERISING

When using the heater in winter ensure the flues are not blocked by snow or fallen leaves etc. When the Space Heater is not going to be used for a long period of time, we recommend that the open end of the combustion air and exhaust flue are covered to prevent ingress of leaves etc.

11. SERVICE SUPPORT DETAILS

For installation or serviceable parts advice please contact Whale® Customer Support:

Tel: +44 (0)845 217 2933

Email: info@whalepumps.com

12. EU DECLARATION OF CONFORMITY

Description of Equipment: **Gas and Electric Space Heater**

Manufacturer's Declaration

We hereby declare, under our sole responsibility, that the above equipment complies with the provisions of the following EC Directives.

Gas Appliance Directive 2009/142/EC on the approximation of the laws of the Member States relating to appliances burning gaseous fuels.

Low Voltage Directive 2006/95/EC on the harmonization of the laws of the Member States relating to electrical equipment designed for use within certain voltage limits.

Electromagnetic Compatibility Directive 2004/108/EC, on the approximation of the laws of the Member States relating to electromagnetic compatibility.

Automotive EMC Directive 2004/104/EC (latest amendment 2009/19/EC) as per Regulation 10.03.

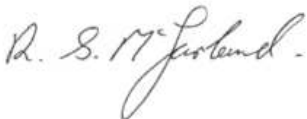
CE mark first affixed: **November 2009**

Basis on which conformity is declared

The above equipment complies with the protection requirements of the EMC Directive and the principal elements of the safety objectives of the Low Voltage Directive

Please contact Whale® if further details are required.

Signed



Stanley McFarland
Engineering Director

13. PATENTS AND TRADEMARKS

The Whale® Space Heater is protected by the following patent and design registration applications:

UK Patent application number: 0902533.9 & 0915825.4

Whale® is a registered trademark of Munster Simms Engineering Ltd (also trading as Whale®).

14. WARRANTY

The Whale® Space Heater is covered by a 3 year warranty.
Please complete the enclosed warranty card and return to Whale.

For warranty details, please see the enclosed warranty statement.

Munster Simms Engineering Ltd.
Old Belfast Road, Bangor, N. Ireland BT19 1LT

Tel: +44 (0)28 9127 0531
Fax: +44 (0)28 9146 6421

www.whalepumps.com
Email: info@whalepumps.com

15. APPENDIX - IDENTIFYING THE FLUE AND INSTALLATION TYPE

See below for identification of the flue type and installation.

C13 Flue Type – for Vehicle in Motion

The C13 type utilises the Vehicle in Motion Double Flue Bracket, whereby both flues exit the vehicle wall via the same bracket, with one flue located above the other (see below). For reference, the Exhaust Flue should always be located above the Inlet Flue.

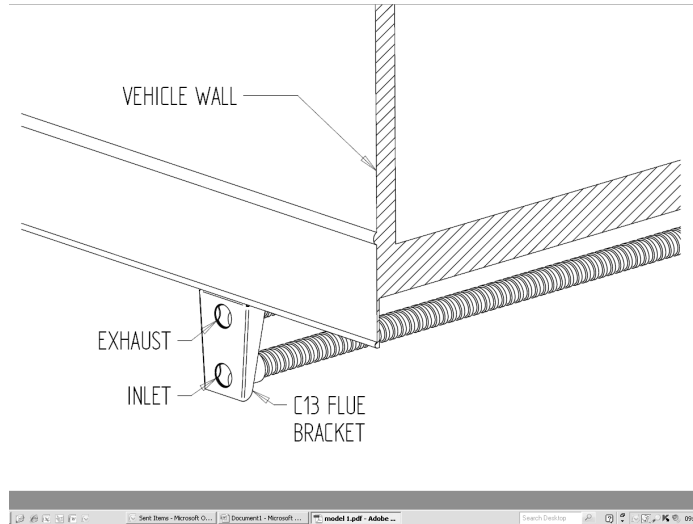


Fig. 35

C53 Flue Type – Standard installation

If the installation and flues are type C53, the flues remain separate and exit the vehicle wall at least 500mm apart. Please note: Some installations may use a single bracket to secure each flue individually, but they will still be located at least 500mm apart.

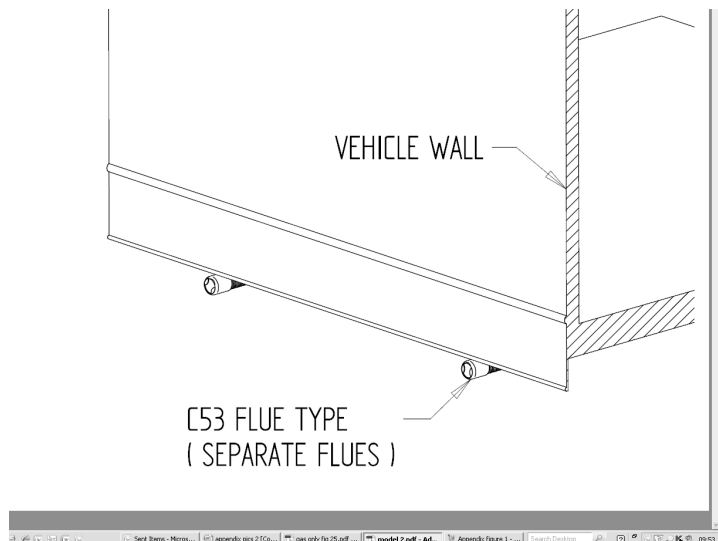


Fig. 36

