

## Upgrading an AKW Pump Kit to Whale Switch Connect

This guide covers upgrading to a Whale Switch Connect from an existing AKW pump kit installation in a bathroom adaptation for a level access shower.

With any AKW pump installation, you will have the ability to upgrade to Whale. Please see below for the relevant sections dependent on the solution required:

### **Section A**

#### **Upgrading from AKW Archimedes IV to Whale Switch Connect (BP1558B and BP1578)**

If possible, upgrade to the Whale flow switch as this contains a removable filter. (Part number AK1568). If it is not possible to change the flow switch, then the existing AKW flow switches may be used. See Fig 1.1 on Page 2 for Whale Switch Connect Transformer settings.

#### **Plumbing:**

For Electric Showers, pipework from the gulley to the pump must be 15mm (to achieve a flow rate of up to 8 litres/min). Use only 22mm on the pump outlet.

For Mixer Showers, pipework from the gulley to the pump must be 22mm (to achieve a flow rate of up to 12 litres/min). Use only 22mm on the pump outlet. Where 15mm pipework is installed on a mixer shower and it is not possible to change the pipework to 22mm, limit the shower flow to 8LPM using a flow regulator.

### **Section B**

#### **Upgrading from AKW DigiPump range i.e. M3, D4, M11, M17 and M20 to Whale Switch Connect (BP1558B or BP1578)**

The AKW flow sensors cannot be used when using a Whale Switch Connect transformer. In this instance, the provided Whale flow switch must be fitted in the cold-water supply to the electric shower or in both hot and cold-water supplies in the case of a mixer shower (an additional flow switch is required – AK1570 Mixer Valve Conversion Kit). See Fig 1.1 on Page 2 for Whale Switch Connect Transformer Settings.

#### **Plumbing:**

For Electric Showers, pipework from the gulley to the pump must be 15mm (to achieve a flow rate of up to 8 litres/min). Use only 22mm on the pump outlet.

For Mixer Showers, pipework from the gulley to the pump must be 22mm (to achieve a flow rate of up to 12 litres/min). Use only 22mm on the pump outlet. Where 15mm pipework is installed on a mixer shower and it is not possible to change the pipework to 22mm, limit the shower flow to 8LPM using a flow regulator.

**Whale Switch Connect Transformer Settings:**

**Fig 1.1. – Switch Connect Transformer Settings**

The transformer is factory set for a typical Electric Shower installation. See Fig 2.4

Settings should only be adjusted to suit a specific installation where required.

To make adjustments, move the jumpers on the base of the transformer to connect pairs of contacts to suit the particular installation as follows:

- **Setting 1: Mixer / Electric (M / E)**  
Select your type of installation.  
M Mixer Valve shower setting.  
E (Default Setting) Electric shower setting.
- **Setting 2: Flow Setting**  
= (Default Setting) With Setting 1 set to E the pump runs at the optimum speed to remove water delivered by a healthcare electrical shower whilst keeping gully noise to a minimum.

With Setting 1 on M the pump will remove water from a mixer/blender shower fitted with the 10 ltrs/min restrictor contained in Mixer Valve Conversion kit AK1570, whilst keeping gully noise to a minimum.

-0.5, +0.5, +1.0, +2.0, +3.0 Ltrs/min (approx.)

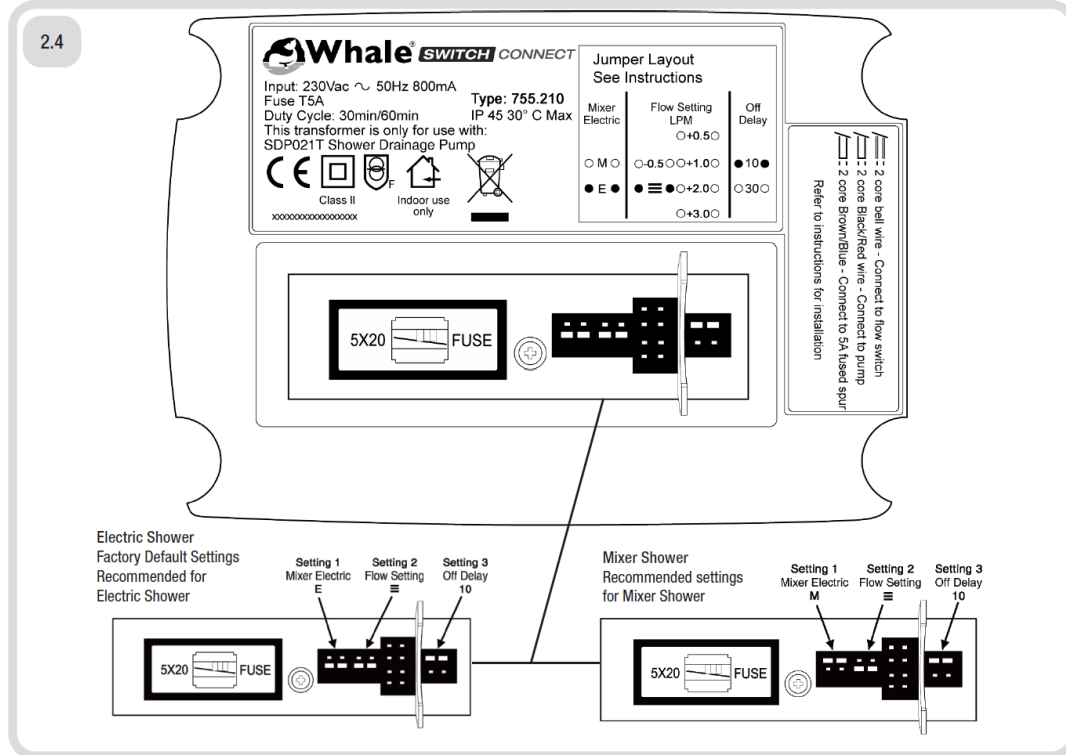
These settings are used in conjunction with Setting 1, E or M, to enable pump speed to be fixed faster or slower to deal with the maximum flow from any shower up to 12 ltrs/min whilst keeping gully noise to a minimum.

- **Setting 3: Off Delay (10, 30 Seconds)**  
**10 Seconds (Default Setting)** is the recommended setting for Electric Shower and Mixer Shower installations.  
**30 Seconds** This setting is suitable for installations where water is slow to drain into the gully.
- **Purge Cycle** - After 15 minutes the transformer will reactivate the pump for approx 30 seconds to remove any run-off or condensation that has collected in the gully.
- **Test Button** - The Test Button provides a quick and convenient way to test the transformer and pump operation. Press, hold and release the Test Button. The GREEN LED should illuminate on the Test Button and the pump should run.

**DO NOT MAKE THE PUMP RUN FASTER THAN NECESSARY**

**DEFAULT SETTINGS SHOULD NORMALLY BE USED**

**SWITCH CONNECT**

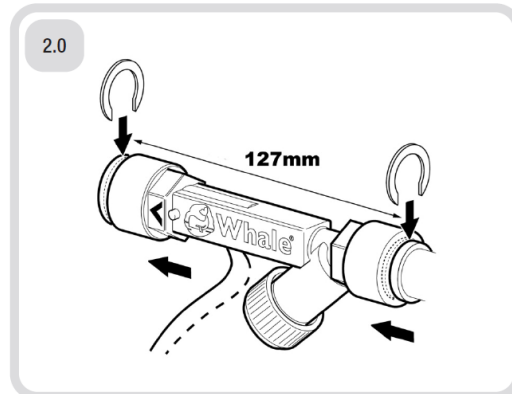


**Whale Flow Switch:**

- The Whale® flow switch includes an internal filter which may be easily removed for inspection/cleaning when required. Ensure the water supply is turned-off.
- Ensure the flow switch is accessible and mounted in a 15 mm diameter, length of straight unstressed pipe.
- Prior to installation, flush through the pipe to remove any debris.

The flow switch must be fitted with the arrow pointing in the direction of the water flow. Ensure that the collet clips are fitted to lock and prevent pipe movement. See Fig. 2.0

- Install the flow switch in the water supply to the electric shower downstream of any other connections to the water supply.
- The flow switch connection to the transformer is not polarity sensitive.



**Need Support? Contact us:**

Tel: 0345 9090 912

Email: [drainagesupport@whalepumps.com](mailto:drainagesupport@whalepumps.com)

For more information on our range of Shower Drain Pumps and solutions for level access showering (via Disabled Facilities Grant) - visit our website [www.whalepumps.com/psd](http://www.whalepumps.com/psd)