

Upgrading an AKW Pump Kit to Whale Instant Match or Instant Match Premium

This guide covers upgrading to a Whale Instant Match or Instant Match Premium pump kit from an existing AKW pump kit installation in a bathroom adaptation for a level access shower.

With any AKW pump installation, you will have the ability to upgrade to Whale. Please see below for the relevant sections dependent on the solution required:

Whale Instant Match and Instant Match Premium

Note: The Whale Instant Match Bluetooth connection upgrade is not compatible with any AKW shower or pump. In mixer valve shower installation where a quieter solution is required then select the Whale Instant Match Premium (SDP303T), This offers unique sound insulation features.

Section A

Upgrading from AKW DigiPump M3, D4, M11, M17, M20 with Whale Instant Match (SDP134T - Flow Sensor Operation) or Instant Match Premium (SDP303T)

Firstly, identify the type of flow sensor currently connected and if it is an AKW flow sensor (1000ppl) this may be wired directly into the Instant Match transformer as shown in the illustration below.

Fig 1.1. AKW Sensor

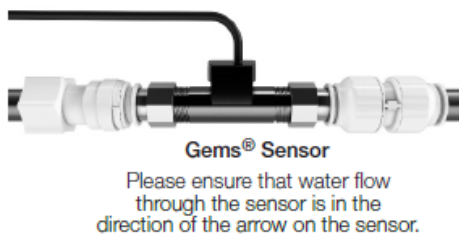
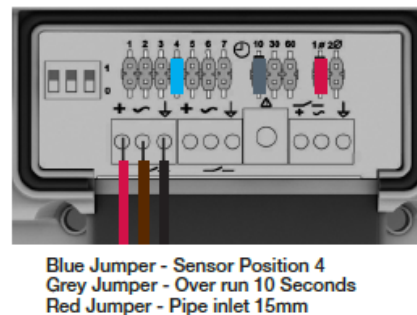


Fig 1.2. Instant Match Transformer



It is recommended to upgrade to the Whale Sika Sensor (Part Number SDS263T) if possible as the Sika Sensor incorporates self-cleaning technology (see Fig 2.4 and 2.5 on Page 5)

For Electric Showers, connect one AKW flow sensor and select position 3 (1000ppl) on the blue jumper.

For Mixer Showers, connect two AKW flow sensors (on the hot and cold) and select position 3 on the blue jumper. (1000ppl). If the current flow sensor is not functioning correctly then order the Whale Sika Flow Sensor (Part Number SDS263T)

Plumbing:

For Electric Showers, pipework from the gully to the pump must be 15mm (to achieve a flow rate of up to 8 litres/min). Use only 22mm on the pump outlet.

For Mixer Showers, pipework from the gully to the pump must be 22mm (to achieve a flow rate of up to 12 litres/min). Use only 22mm on the pump outlet. Where 15mm pipework is installed on a mixer shower and it is not possible to change the pipework to 22mm, limit the shower flow to 8LPM using a flow regulator.

Section B

Upgrading from AKW Archimedes IV (Flow Switch operation) to Whale Instant Match (SDP134T - Flow Switch Operation) or Instant Match Premium (SDP303T)

Where it is not possible to replace the existing flow switch (i.e. installed behind tiling), a new flow switch may be wired directly into the transformer as shown in the illustration below. Adjust the flow settings on the transformer to match that of the shower.

The Whale flow switch contains an integral filter to protect it against debris (AK1568)

Electric Shower Settings:

Fig 1.3. Transformer Settings

- Step 1: Turn Dip switch 2 to the 'ON' position.
- Step 2: Move red jumper to pipe size '1' for 15mm inlet pipe.
- Step 3: Move the blue jumper to increase or decrease the pump speed as required, using the table below as a guide.
- Step 4: Move the grey jumper to increase or decrease the pump overrun if necessary.

Fig 1.4. Instant Match or Instant Match Premium Transformer

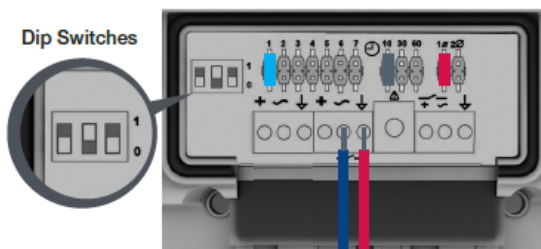


Fig 1.5. Flow Switch



Please ensure that water flow through the sensor is in the direction of the arrow on the sensor.

Fig 1.6. Flow Rates

Jumper Position	Flow Rate (LPM)
1.	4.5 - As shown opposite
2.	5.0
3.	5.5
4.	6.0
5.	6.5
6.	7.0
7.	7.5

• Flow rates are nominal values only. This will vary depending on pipework.

Mixer Shower Settings:

Fig 1.7. Transformer Settings

- Step 1: Turn Dip switch 2 to the 'ON' position.
- Step 2: Move red jumper to pipe size '2' for 22mm inlet pipe.
- Step 3: Move the blue jumper to increase or decrease the pump speed as required, using the below table as a guide.
- Step 4: Move the grey jumper to increase or decrease the pump overrun if necessary. 30 is the recommended setting for use on mixer showers.

Fig 1.9. Flow Switches



Please ensure that water flow through the sensor is in the direction of the arrow on the sensor

Fig 1.8. Instant Match or Instant Match Premium Transformer

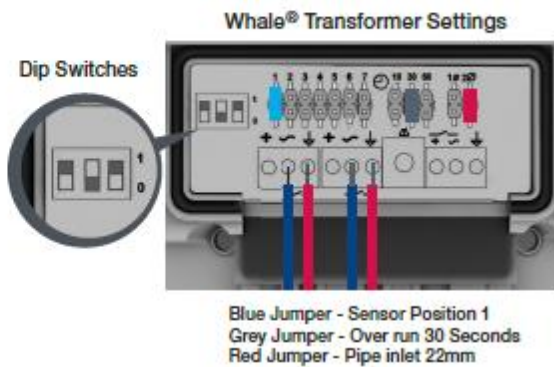


Fig 2.0. Flow Rates

Jumper Position	Flow Rate (LPM)
1.	7.5 - As shown opposite
2.	8.0
3.	8.5
4.	9.0
5.	9.5
6.	10.0
7.	11.0

• Flow rates are nominal values only. This will vary depending on pipework.

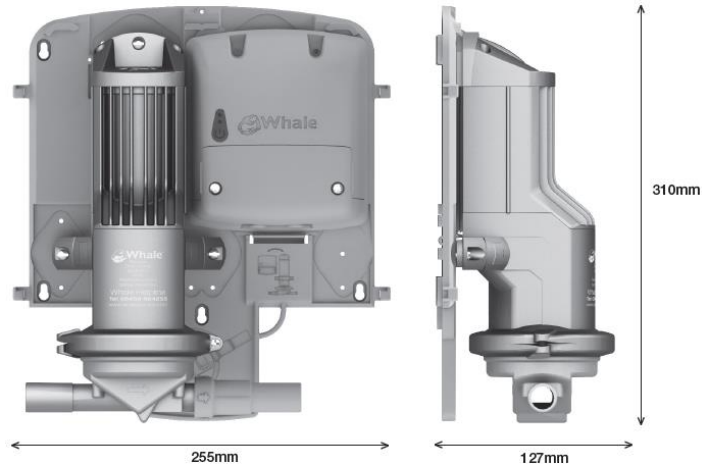
Plumbing:

For Electric Showers, pipework from the gully to the pump must be 15mm (to achieve a flow rate of up to 8 litres/min). Use only 22mm on the pump outlet.

For Mixer Showers, pipework from the gully to the pump must be 22mm (to achieve a flow rate of up to 12 litres/min). Use only 22mm on the pump outlet. Where 15mm pipework is installed on a mixer shower and it is not possible to change the pipework to 22mm, limit the shower flow to 8LPM using a flow regulator.

Whale Instant Match – SDP134T:

Fig 2.1. Instant Match Dimensions



To permit easy connection of wires the transformer may be unclipped from the base.

Fig 2.2. Instant Match Transformer - Unclipped



Where an installation is behind a boxing the pump cover is not required.

Fig 2.3. Instant Match or Instant Match Premium Cover

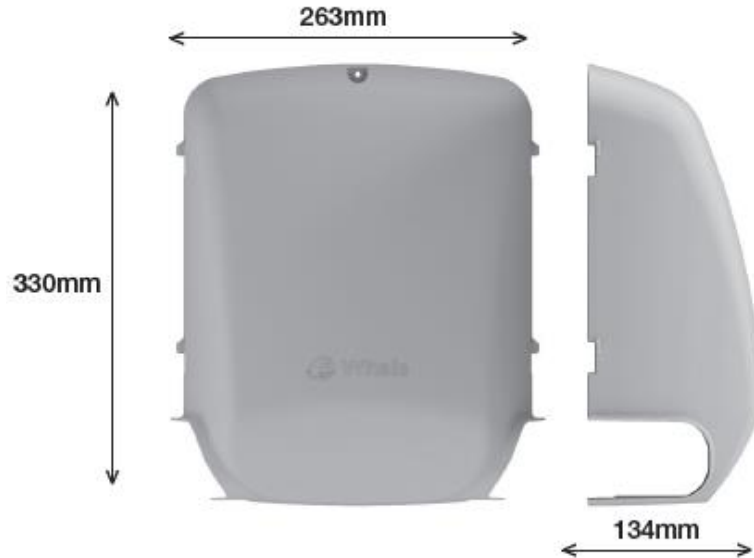
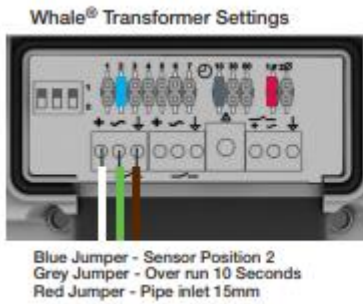
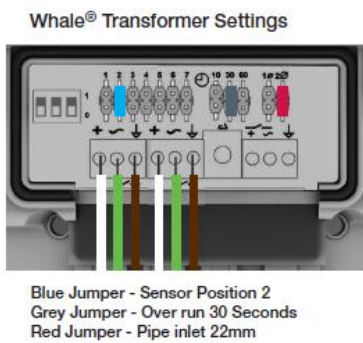


Fig 2.4. Instant Match Transformer Settings – Sika Sensor (Electric)



Sika® Sensor
 Please ensure that water flow through the sensor is in the direction of the arrow on the sensor.

Fig 2.5. Instant Match Premium Transformer Settings – Sika Sensors (Mixer)

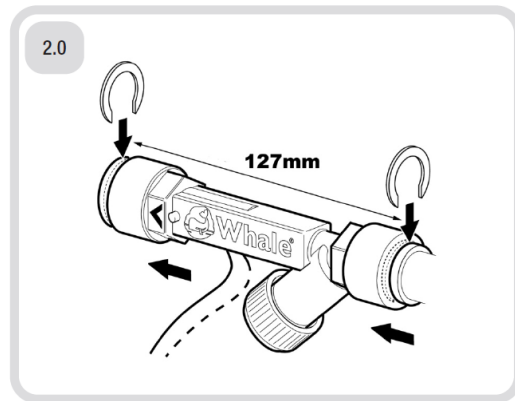


Sika® Sensor
 Please ensure that water flow through the sensor is in the direction of the arrow on the sensor.

- The Whale® flow switch includes an internal filter which may be easily removed for inspection/cleaning when required. Ensure the water supply is turned-off.
- Ensure the flow switch is accessible and mounted in a 15 mm diameter, length of straight unstressed pipe.
- Prior to installation, flush through the pipe to remove any debris.

The flow switch must be fitted with the arrow pointing in the direction of the water flow. Ensure that the collet clips are fitted to lock and prevent pipe movement. See Fig. 2.0

- Install the flow switch in the water supply to the electric shower downstream of any other connections to the water supply.
- The flow switch connection to the transformer is not polarity sensitive.



Need Support? Contact us:

Tel: 0345 9090 912

Email: drainagesupport@whalepumps.com

For more information on our range of Shower Drain Pumps and solutions for level access showering (via Disabled Facilities Grant) - visit our website

www.whalepumps.com/psd