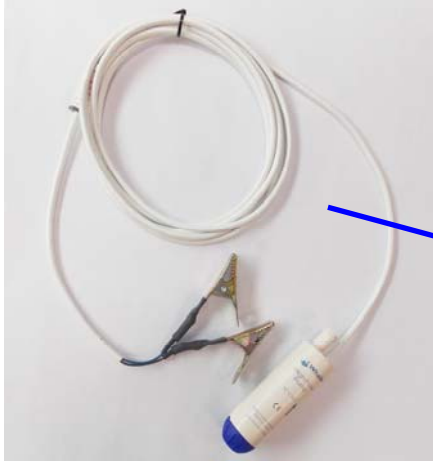




Wide range of both manual and electric pumps designed for diesel transfer in low voltage environments.



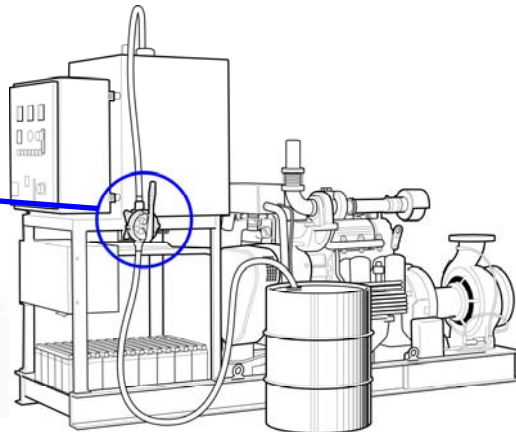
Self Venting Submersible Pump – CS9217 (High Flow)



- Primes when submerged
- Ideal for diesel transfer
- Low current draw
- Ideal for diesel transfer



Gusher Urchin – ND9210



- Self primes when dry
- Can pump many liquids including diesel and light lubricating oil
- Pump head maybe orientated in any direction
- Lightweight and robust
- Handle adjusts in any direction
- Heavy-duty version has aluminium external parts

**Gulper – HD1552 (12V)
HD1554 (24V)**



- Virtually unblockable
- Pumps air / liquid mixture
- No filter required
- Self priming up to 9.8 feet
- Rotating head allows flexible installation

Contact your Whale representative today for more information:

Aiden Devlin (mob: 07904 289048), aidend@whalepumps.com www.whalepumps.com